

SHELL FORGINGS COMPLETE READY TO FILL

**120 MM MORTAR
105 MM HOWITZER
155 MM HOWITZER**



FORGING 120 MM MORTAR SHELL

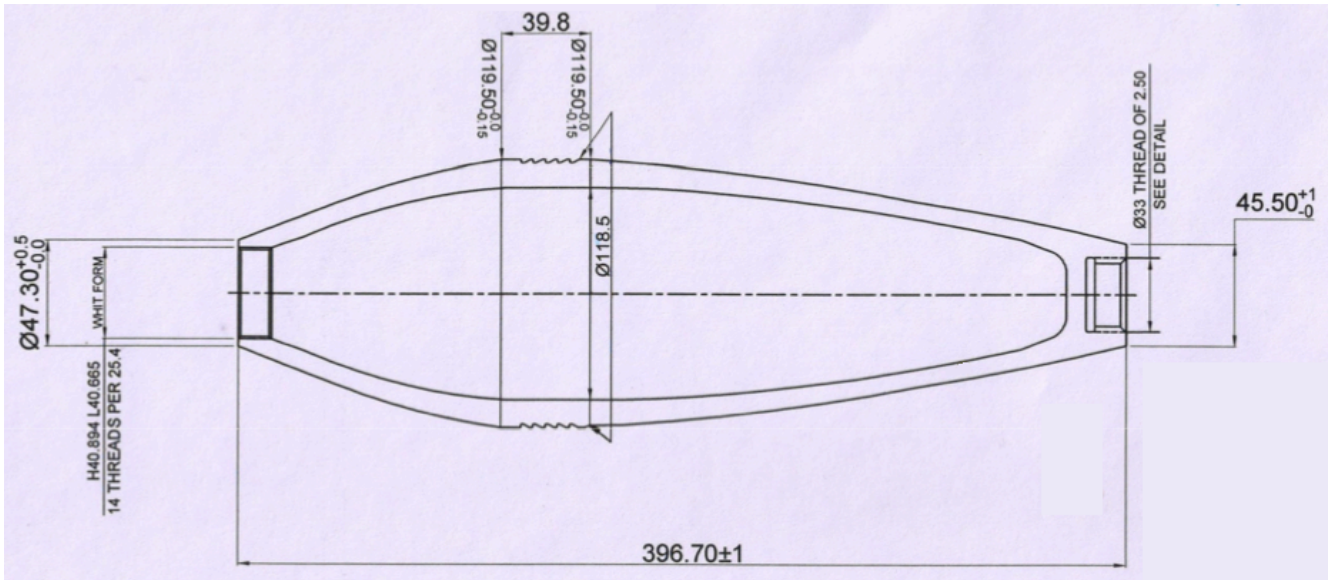


**Forged Empty 120 mm
Mortar Grenade Projectile in 2 pieces**

Length 360 mm
Diameter 120 mm
Mass: 8530 g +/- 350 g

FORGING

120 MM MORTAR GRENADE



- 01- Carbon Steel
- 02- Hot Forged on 1500 Ton Deep Draw Hydraulic Press
- 03- Precision Machined on Machining Centres
- 04- Copper Fitted
- 05- Hardened & Tempered (In-House)
- 06- 100% Hardness Check each production lot
- 07- 100% Magna Flux Check each production lot
- 08- Random Audit Dye Penetration Test
- 09- Phosphated (In-House)
- 10- Painted to end user specs
- 11- Packed 3 forgings per carton box
- 12- Sea worthy packing in wooden crates for export

FORGING

105 MM HOWITZER SHELL

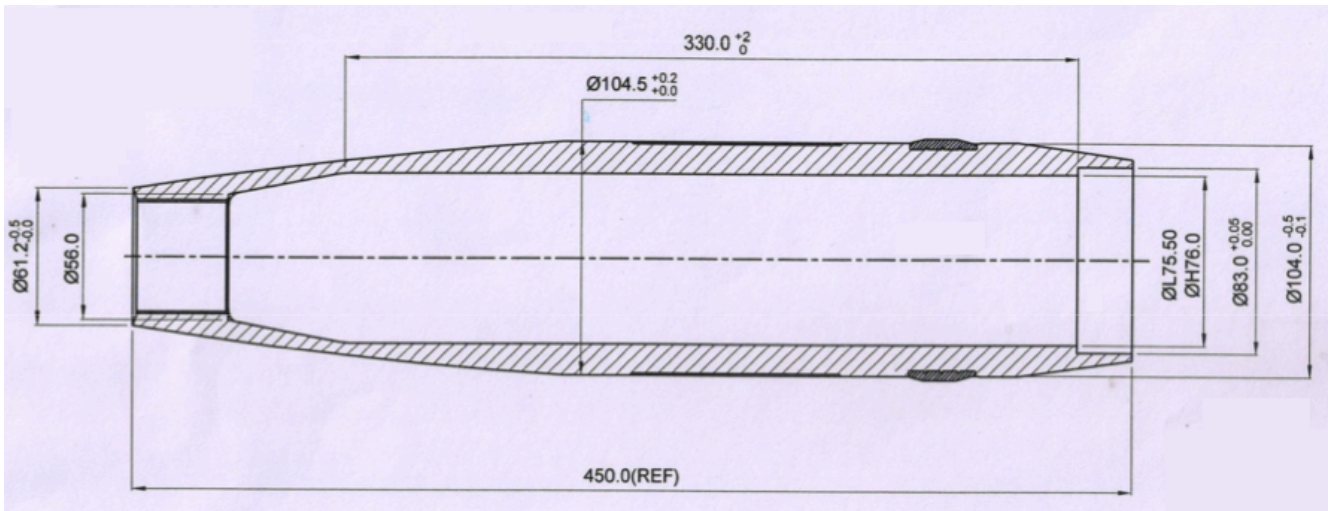


Forged 105 mm Howitzer Projectile Ready to Fill

Length	450 mm
Diameter	105 mm
Mass:	10815 g +/- 80 g

FORGING

105 MM HOWITZER SHELL



- 01- Carbon Steel
- 02- Hot Forged on 1500 Ton Deep Draw Hydraulic Press
- 03- Precision Machined on Machining Centres
- 04- Copper Fitted
- 05- Hardened & Tempered (In-House)
- 06- 100% Hardness Check each production lot
- 07- 100% Magna Flux Check each production lot
- 08- Random Audit Dye Penetration Test
- 09- Phosphated (In-House)
- 10- Painted to end user specs
- 11- Packed 3 forgings per carton box
- 12- Sea worthy packing in wooden crates for export

FORGING

155 MM HOWITZER SHELL

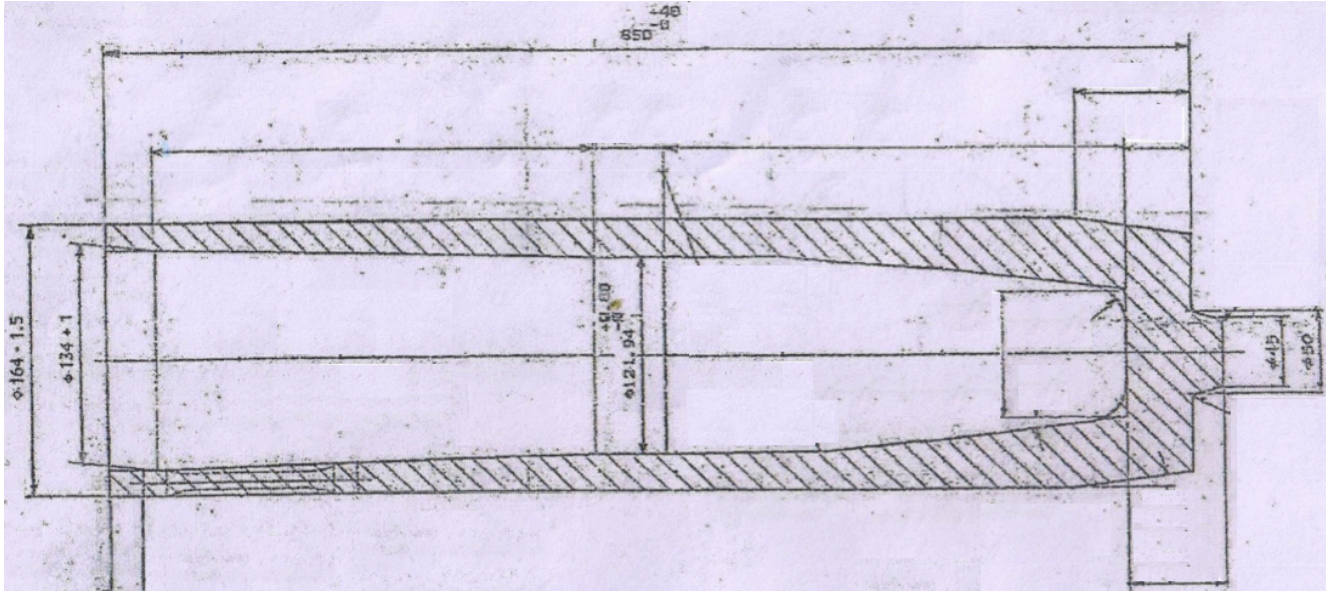


**Forged 155 mm
Howitzer Projectile Ready to Fill**

Length	850 mm
Diameter	155 mm
Mass:	36850 g +/- 480 g

FORGING

155 MM HOWITZER SHELL



- 01- Carbon Steel
- 02- Hot Forged on 1500 Ton Deep Draw Hydraulic Press
- 03- Precision Machined on Machining Centres
- 04- Copper Fitted
- 05- Hardened & Tempered (In-House)
- 06- 100% Hardness Check each production lot
- 07- 100% Magna Flux Check each production lot
- 08- Random Audit Dye Penetration Test
- 09- Phosphated (In-House)
- 10- Painted to end user specs
- 11- Packed 3 forgings per carton box
- 12- Sea worthy packing in wooden crates for export